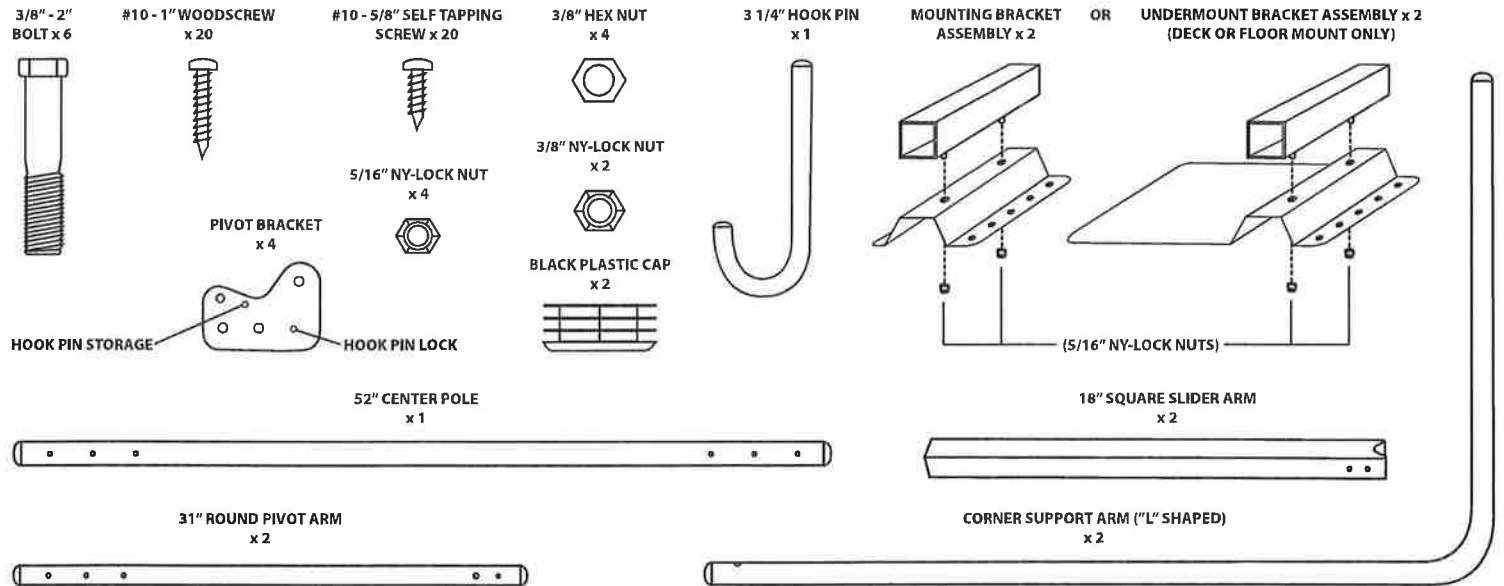


# ULTRALIFT COVER LIFTER STANDARD MOUNT OR UNDER MOUNT

**ULTRALIFT**  
One Size REALLY Fits All  
[www.theultralift.com](http://www.theultralift.com)  
1-800-597-1343

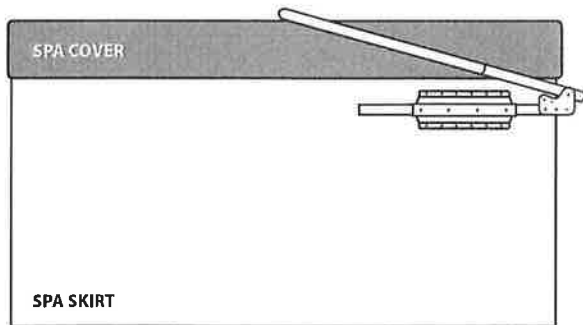
## Assembly, Installation Instructions & Parts List

### Parts List

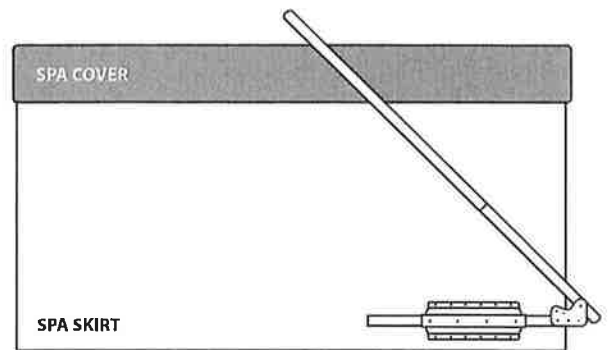


### Possible Mounting Positions

UPPER SPA SKIRT MOUNT - SIDE VIEW



LOWER SPA SKIRT MOUNT - SIDE VIEW



### Installation Instructions

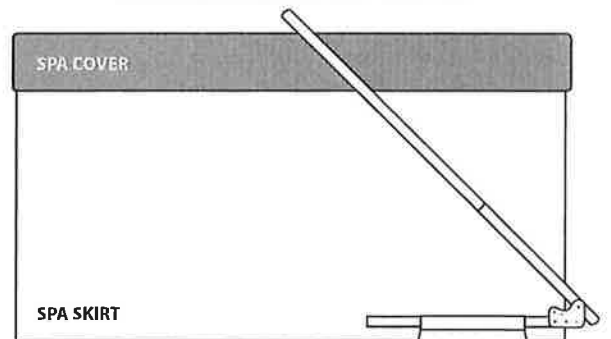
#### STEP 1

The spa cover must be in the closed position prior to mounting the Ultralift. Position the spa cover properly, ensuring it is sitting squarely on the spa. Assemble the 2-piece mounting bracket using two of the 5/16" ny-lock nuts, as shown in the Parts Illustration.

#### STEP 2A Standard Mount on Spa Side or Deck

Attach the assembled mounting brackets as close to the back wall of the spa as possible, using the #10 - 1" screws. If you want the folded cover lifted above the top of the spa as a privacy screen, mount the bracket close to the top of the spa - as shown in "Upper Spa Skirt Mount" illustration. If you prefer the open cover to sit low behind the spa, mount the brackets closer to ground level, as shown in "Lower Spa Skirt Mount - Side View". The other option is to mount the assembled standard brackets directly on the deck or floor. This will require greater clearance space behind the tub if there is a wall, fence or similar structure restricting removal of the cover. A minimum of 16" between the rear wall of the spa and any wall or fence is needed to accommodate the lower skirt, deck or undermount lifter position. To prevent splitting of the wood skirt we recommend pre-drilling the holes with a 1/16" drill bit.

UNDERMOUNT INSTALLATION FOR DECK OR FLOOR MOUNT ONLY - SIDE VIEW



### STEP 2B Undermount installation for Deck or Floor mount ONLY

Working with an empty tub or spa, slide the wide flat portion of the assembled undermount bracket under the spa skirt, positioning the brackets close to the end of the hot tub on both sides.

### STEP 3

Connect the square slider arm between two pivot brackets by threading two 2" long bolts through the pivot bracket, square slider arm and second pivot bracket at the two holes indicated by "A". Tighten with four 3/8" hex nuts from the side closest to the spa. Attach the round side pivot arm between the same two pivot brackets, using the holes identified as "B", by feeding one 2" long bolt threaded through the bracket, through the round side pivot arm, and through the other bracket, and secure using a 3/8" ny-lock nut. DO NOT OVER TIGHTEN HERE, as the pivot arm must be able to move freely. Repeat assembly of the square slider arm, the pivot brackets and the round side pivot arm on the other side of the spa. Remember to feed all bolts through from the same side, so nuts are attached on the inside closest to the spa. Slide the square slider arm into the mounting bracket on each side of the spa.

### STEP 4

Insert the corner support arms into the center pole. After positioning the center pole so that an equal space is on each side of the spa, slide the corner arms into the pivot arms.

### STEP 5

Allow the *Ultralift* to rest on the spa cover. Make sure the center pole is in the middle of the spa cover and adjust the corner support arms so that the center pole is situated parallel to the spa cover allowing between 1/2 inch and 1 inch of space from the center. Attach the center pole to the corner support arms using six of the #10 - 5/8" self tapping screws. Pre-drilling through the corner support arms is advised. We recommend rotating the center pole so that the screws are inserted horizontally.

### STEP 6

Position the slider arm so that the lifter extends an equal distance and sits squarely behind the spa. We recommend you attach the slider arm to the mounting bracket by inserting one #10 - 5/8" screw on each side and then opening the cover and testing the position of the fully open cover. Once the desired position is reached insert three more of the #10 - 5/8" screws into each mounting bracket. Similarly, once the lifter is adjusted to fit, secure the corner support arm in the round side pivot arm with 3 screws. Insert the two plastic caps into the open end of the side pivot arms. That's it, you're finished.

**NOTE:** The hook pin should be inserted into the pivot bracket when the spa cover is opened, for added safety, and removed to close the cover.

ILLUSTRATION FOR STEP 3  
ASSEMBLY OF SLIDER ARM TO PIVOT ARM - SIDE VIEW

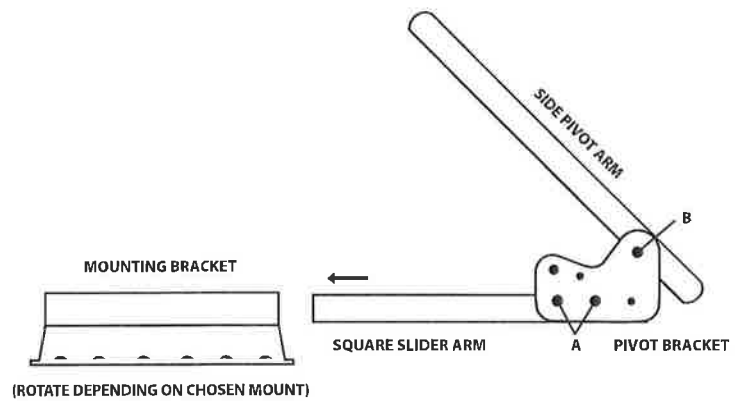
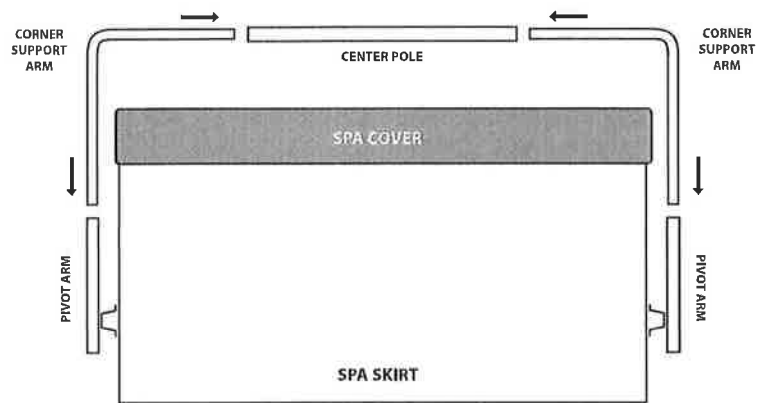


ILLUSTRATION FOR STEPS 4 & 5  
ASSEMBLY OF CORNER ARMS TO PIVOT ARMS - FRONT VIEW



### ULTRALIFT Spa Cover Lifter Limited Warranty

SMP Specialty Metal Products Ltd. (the "Manufacturer") warrants to the original purchaser only that the enclosed **ULTRALIFT** Spa Cover Lifter is free from material and workmanship defects under normal household use for one year from date of purchase. Defective product or part must be returned, with Manufacturer's authorization, freight prepaid, to Manufacturer along with proof of purchase. Upon receipt of purchase of the aforesaid, the defective product or part will be repaired or replaced at the option of Manufacturer without charge to the original purchaser.

This limited warranty does not apply to damage resulting from accident, neglect, misuse, commercial use, alteration, operation not in accordance with instructions, or repairs made or attempted to be made by unauthorized persons.

This limited warranty applies only to the **ULTRALIFT** Spa Cover Lifter and does not apply to the accessory parts such as spa covers.

Manufacturer's liability is limited solely to the repair or replacement of the defective product or part and Manufacturer shall in no event be liable for any incidental or consequential damage which may result from any defect in material or workmanship or from the breach of any express or implied warranty. This warranty gives you specific legal rights and you may have other rights which may vary from state to state or province to province.

**FACTORY REPAIRS:** Repair, service, and assembly assistance are available from the factory, not from the place of purchase. If this product requires repair, please contact us. For assembly or replacement parts information call 1-800-597-1343 or visit [www.theultralift.com](http://www.theultralift.com).